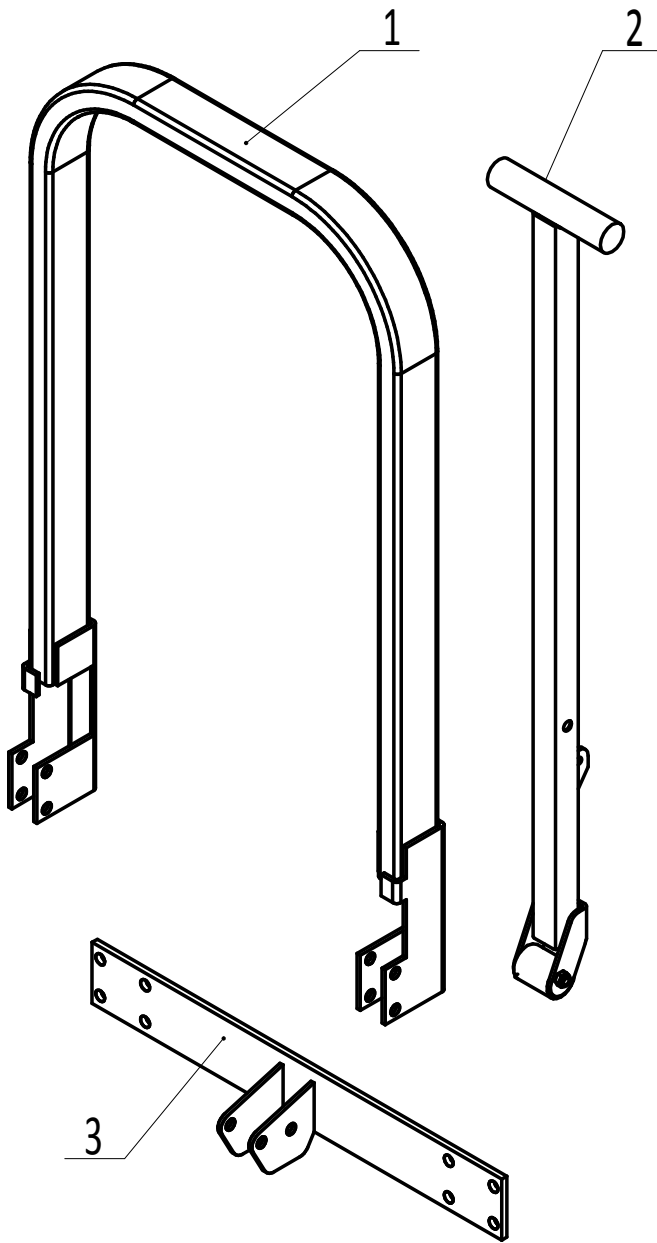




Smart Push-Pull and extender for Patented Smart Cart

Y4711SPP

Version:2014-8-21
www.winntec.net



4



5



6



7

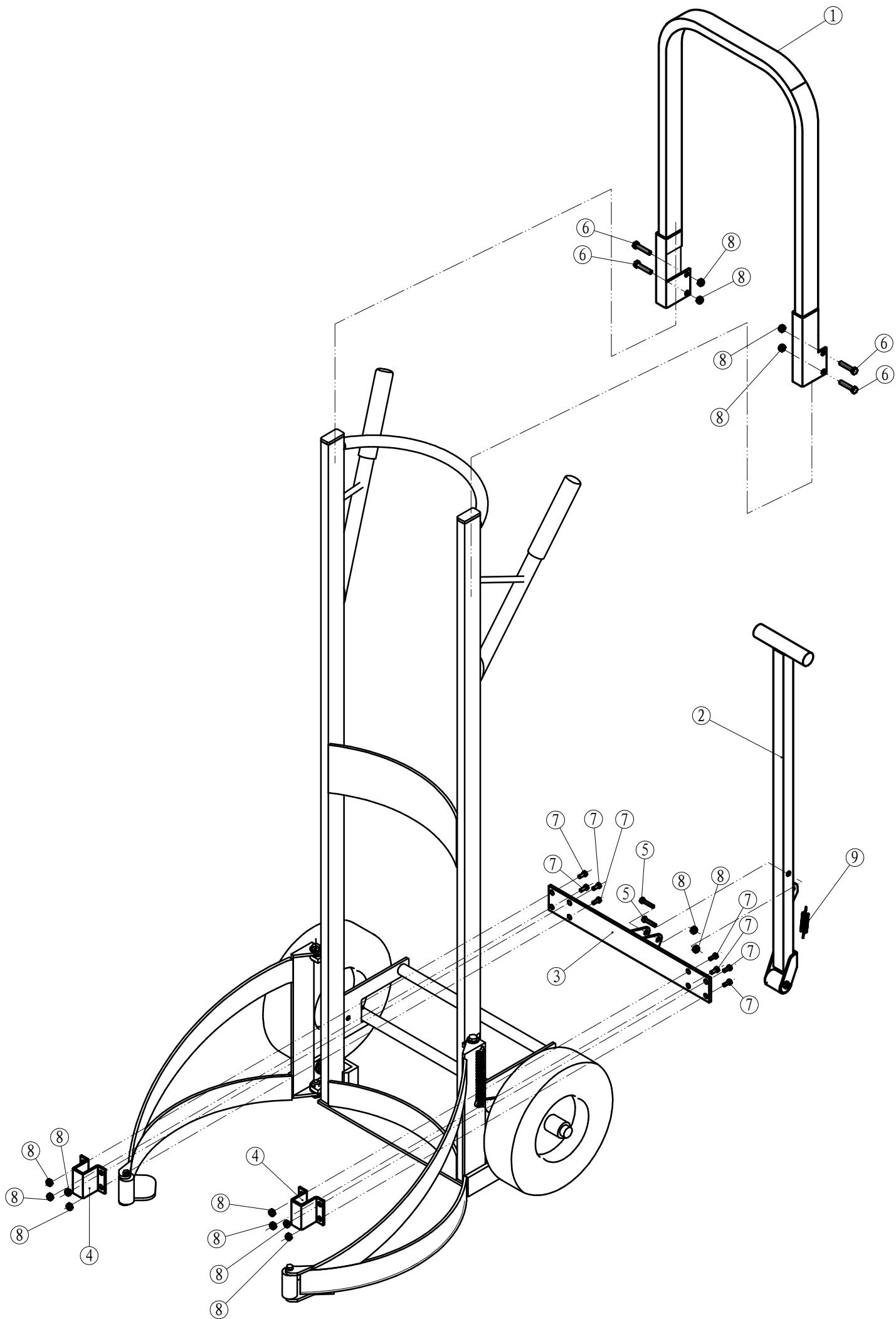


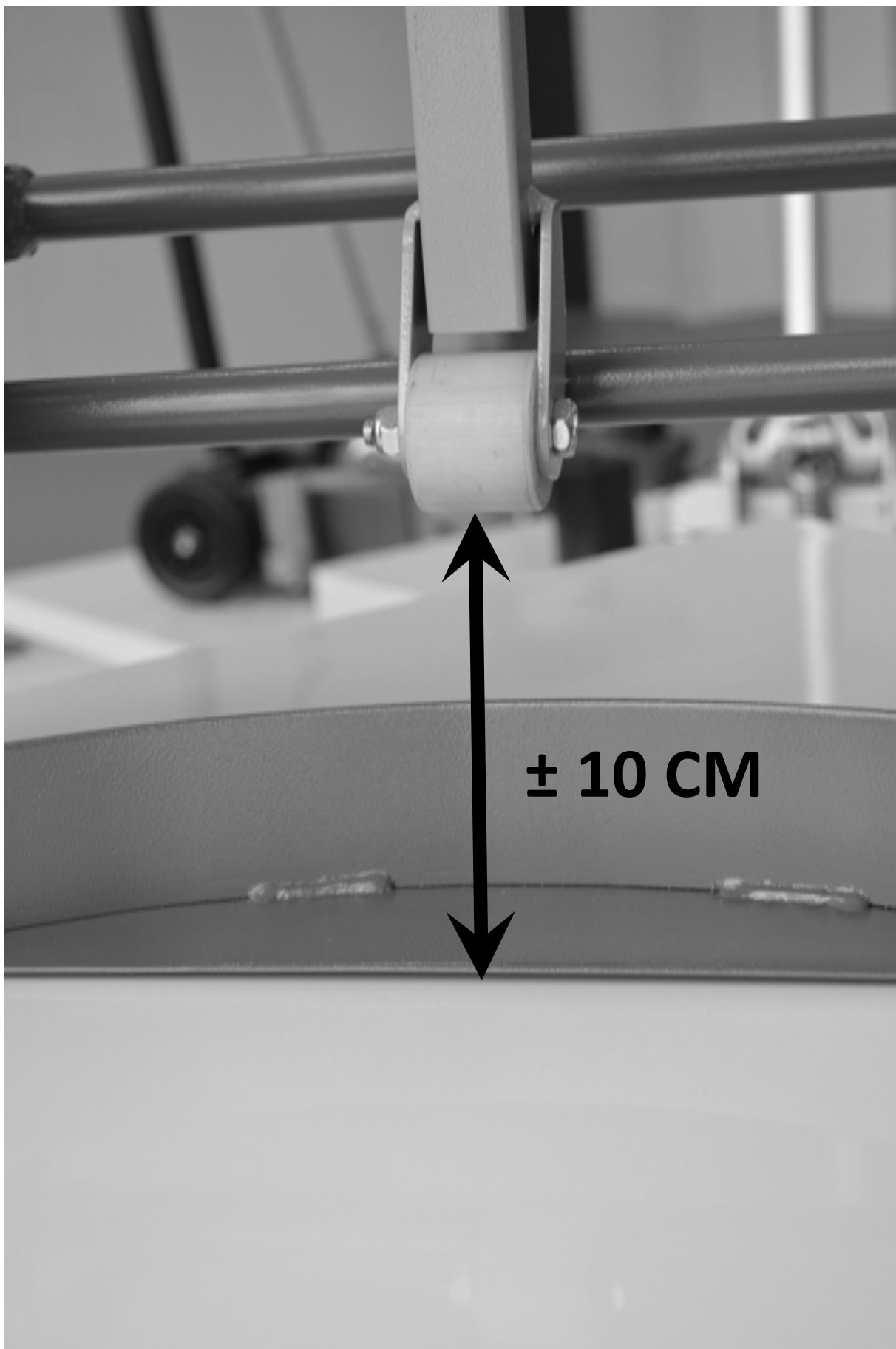
8



9

NO.	Description	Quantity
1	Extender	1
2	Smart Push Rod	1
3	Push Rod's Support	1
4	Connection	2
5	Hex bolts M8-1.25*40mm	2
6	Hex bolts M8-1.25*35mm	4
7	Hex bolts M8-1.25*20mm	8
8	Flange Nylon Hex Nuts M8-1.25	14
9	Main Spring	1





± 10 CM